



batmatic

MADE IN
ITALY

DIESEL

VR22-E "GIP"

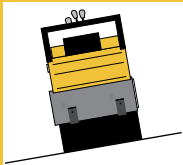
batmatic

716 kg

WALK-BEHIND DOUBLE DRUM VIBRATORY ROLLER



Manual driven roller with double hydraulic traction and vibration insertion activated by electromagnetic transmission and belts. Suitable for compacting asphalt or granular surfaces. The extremely compact frame allows the operator to work almost along the wall. Thanks to an efficient cooling radiator it has been possible to use few oil in the hydraulic circuit, allowing use in any climatic condition



30°



48-60 Hz



14-22 kN



4,8 km/h



2,4 km/h



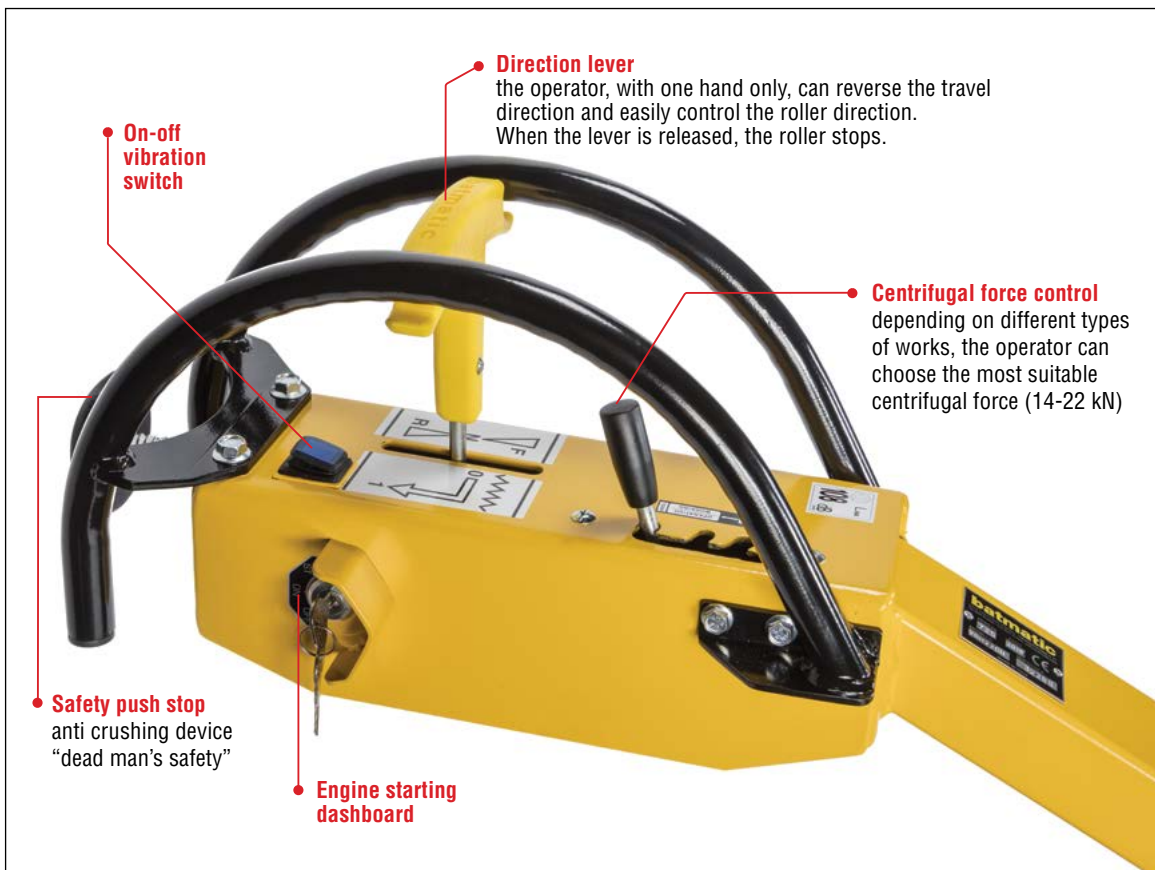
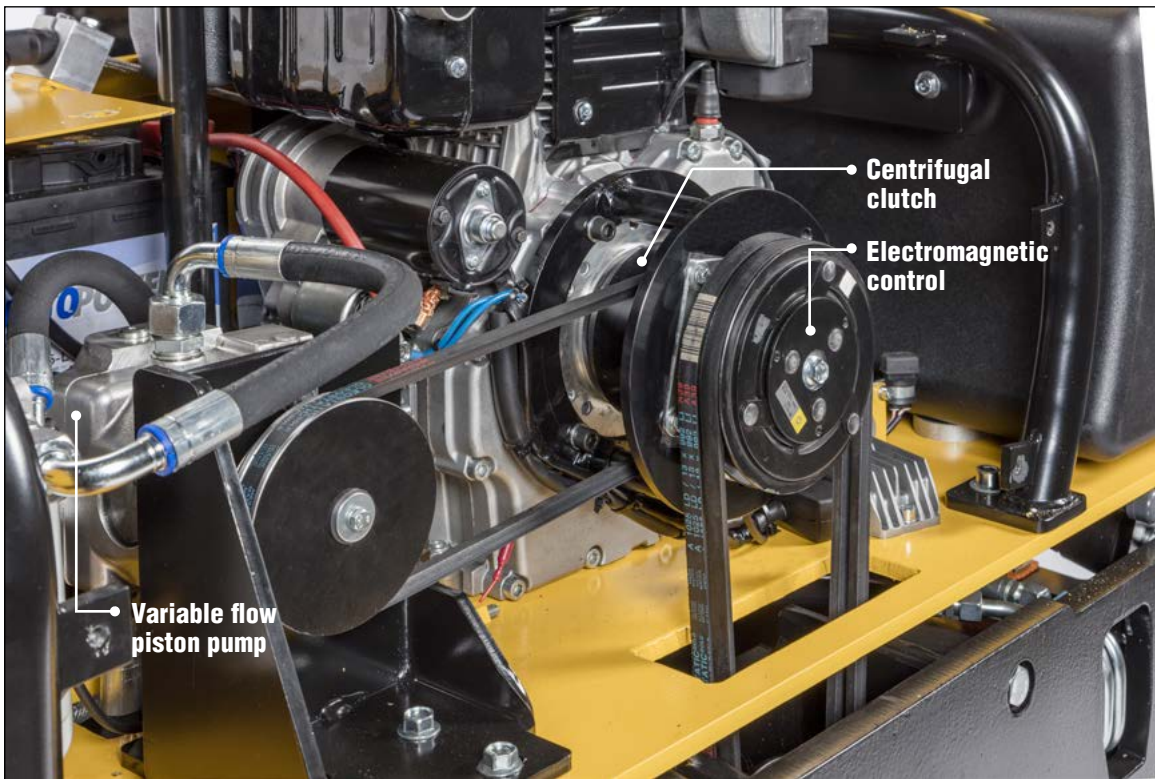
22%



VR22-E "GIP"

batmatic

14-22 kN ELECTROMAGNETIC TRANSMISSION



DIESEL

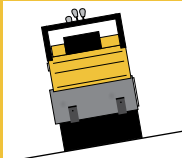
VR22-H 725-753 kg

batmatic

WALK-BEHIND DOUBLE DRUM VIBRATORY ROLLER



Manual driven roller with traction and vibration insertion controlled by an hydraulic system. Suitable for compacting asphalt or granular surfaces. The extremely compact frame allows the operator to work almost along the wall. Thanks to an efficient cooling system it has been possible to use few oil in the hydraulic circuit, allowing use in any climatic condition



30°



48-60 Hz



14-22 kN



4,8 km/h



2,4 km/h



22%

Ergonomic handle

the handy controls positioned on the handle allow to activate the vibration, to change the compaction force and to establish the direction of the roller travel

Lifting point
easy and safe lifting and transportation

Complete engine cover
gives maximum engine protection

45 lt water tank capacity
large diameter filling cap gives easy access for cleaning

Parking brake

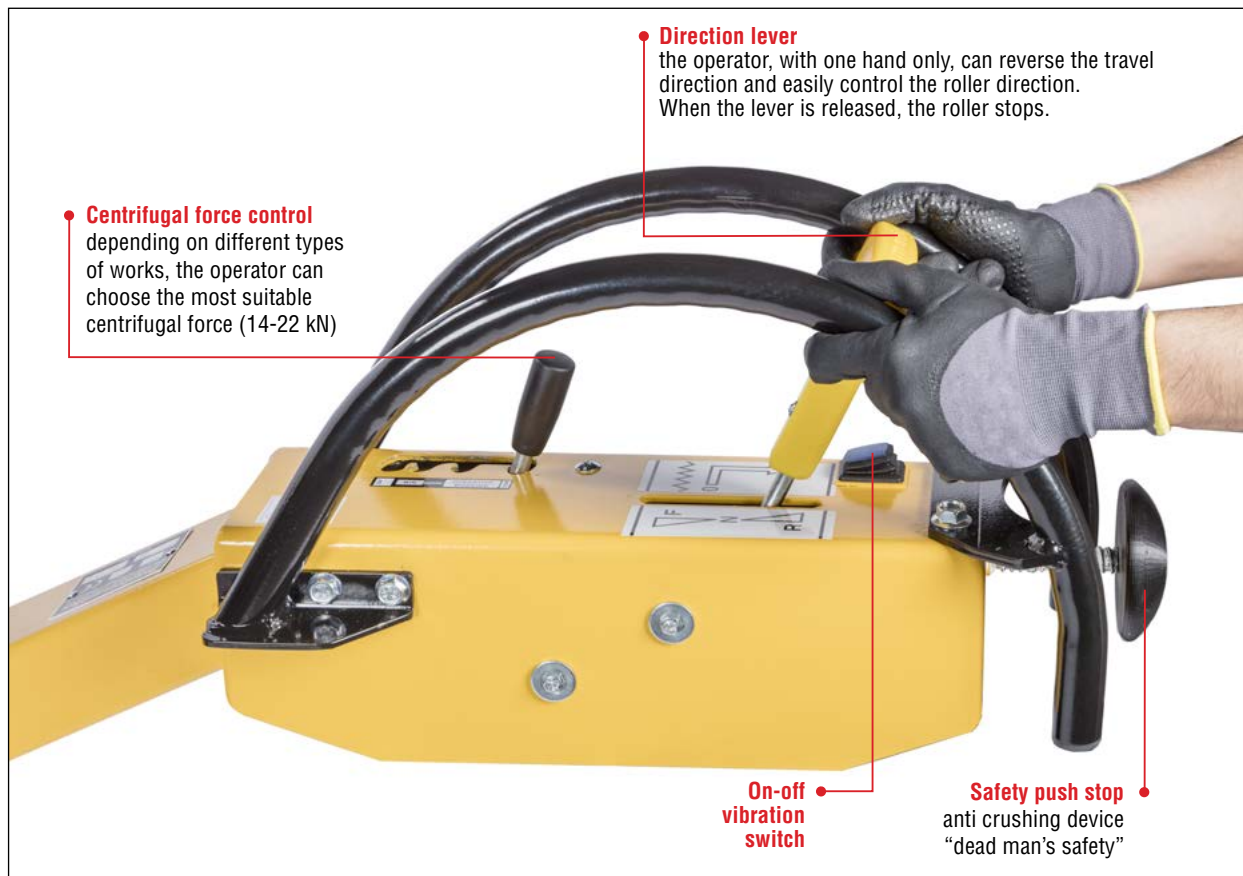
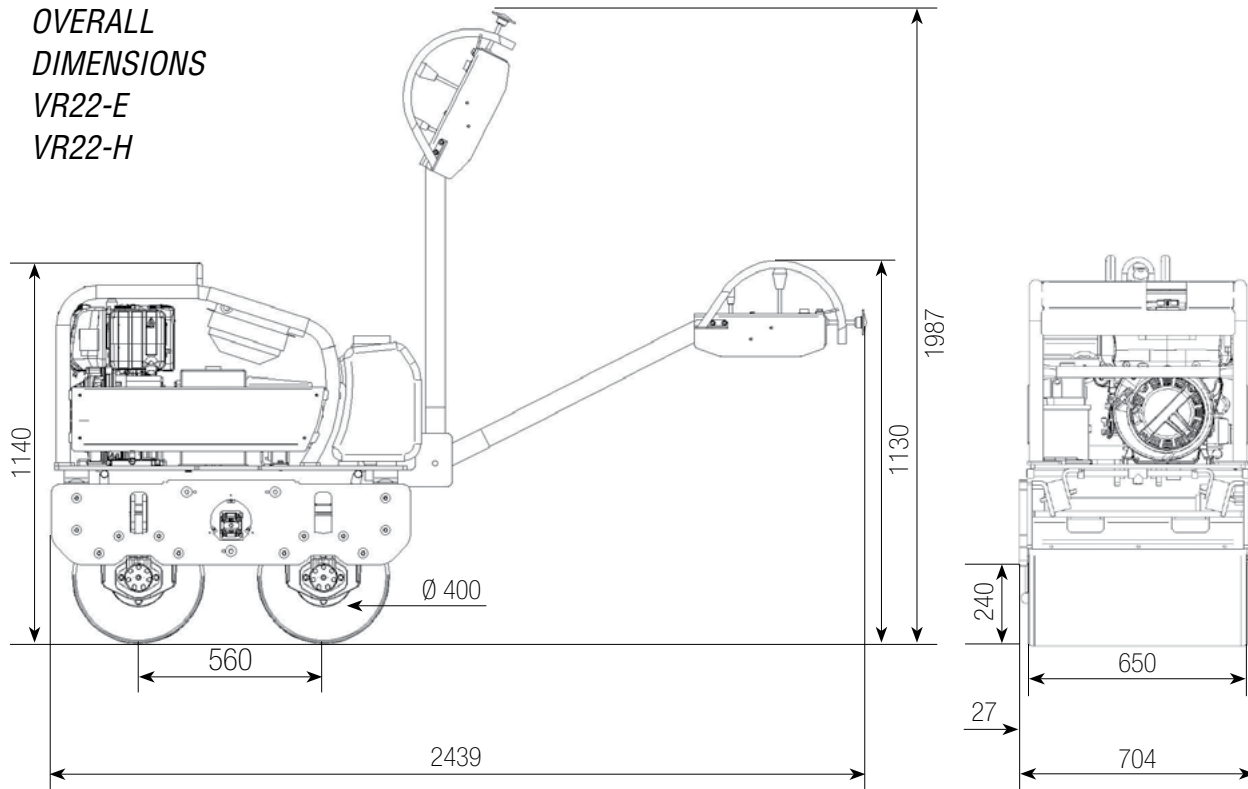
Safety belt

Scrapers
for drums cleaning



14-22 kN FULLY HYDRAULIC

OVERALL
DIMENSIONS
VR22-E
VR22-H



TECHNICAL FEATURES

Model	VR22 E		VR22 H		
Transmission	Hydraulic		Hydraulic		
Vibration	Electromagnetic		Hydraulic		
Operating weight (kg)	716	716	725	725	753
Travel speed forward (km/h)	4,8		4,8		
Travel speed reverse (km/h)	2,4		2,4		
Max gradeable slope	40% - 22°		40% - 22°		
Angle of lateral stability	30% - 17°		30% - 17°		
Oil tank capacity (lt)	3,5		4,0		
Total oil in the circuit (lt)	6,5		7,0		
Water tank capacity (lt)	45		45		
Low frequency					
Centrifugal force (kN)	14		14		
Vibration frequency (Hz)	48,3		48,3		
Engine (RPM)	2300		2300		
Vibrator (RPM)	2900		2900		
High frequency					
Centrifugal force (kN)	22		22		
Vibration frequency (Hz)	60		60		
Engine (RPM)	2800		2800		
Vibrator (RPM)	3600		3600		
Dimensions					
Drum width (mm)	650		650		
Drum diameter (mm)	400		400		
Curb clearance (mm)	240		240		
Engine					
Manufacturer	Kohler	Hatz	Kohler	Hatz	Hatz
Model	15LD440	1B40	15LD440	1B40	1D42 Z
Max power kW (HP)	8,0 (10.9)	7,4 (10.0)	8,0 (10.9)	7,4 (10.0)	7,5 (10.2)
Fuel	Diesel		Diesel		
Starter	Electric		Electric		



batmatic

Via Romitaggio, 31 - 43010 Bianconese di Fontevivo (Parma - Italy)

Tel. +39 0521 619298 - fax +39 0521 619682

www.batmatic.it e-mail: batmatic@batmatic.com